

Ethernet Surge Protector

Features

- 10/100/1000Mb Data Rate (24 or 48V POE Model)
- CAT5/6 Compatible. All 8 pins protected.
- Shielded jacks and full metal housing
- Complies with IEC 61643-21 Standard
- UL497B Listed (TP-ESP-1000-POE)



Applications

- Wireless Access Points and Client Devices
- IP Phone and Security Camera Systems
- Industrial Control Systems

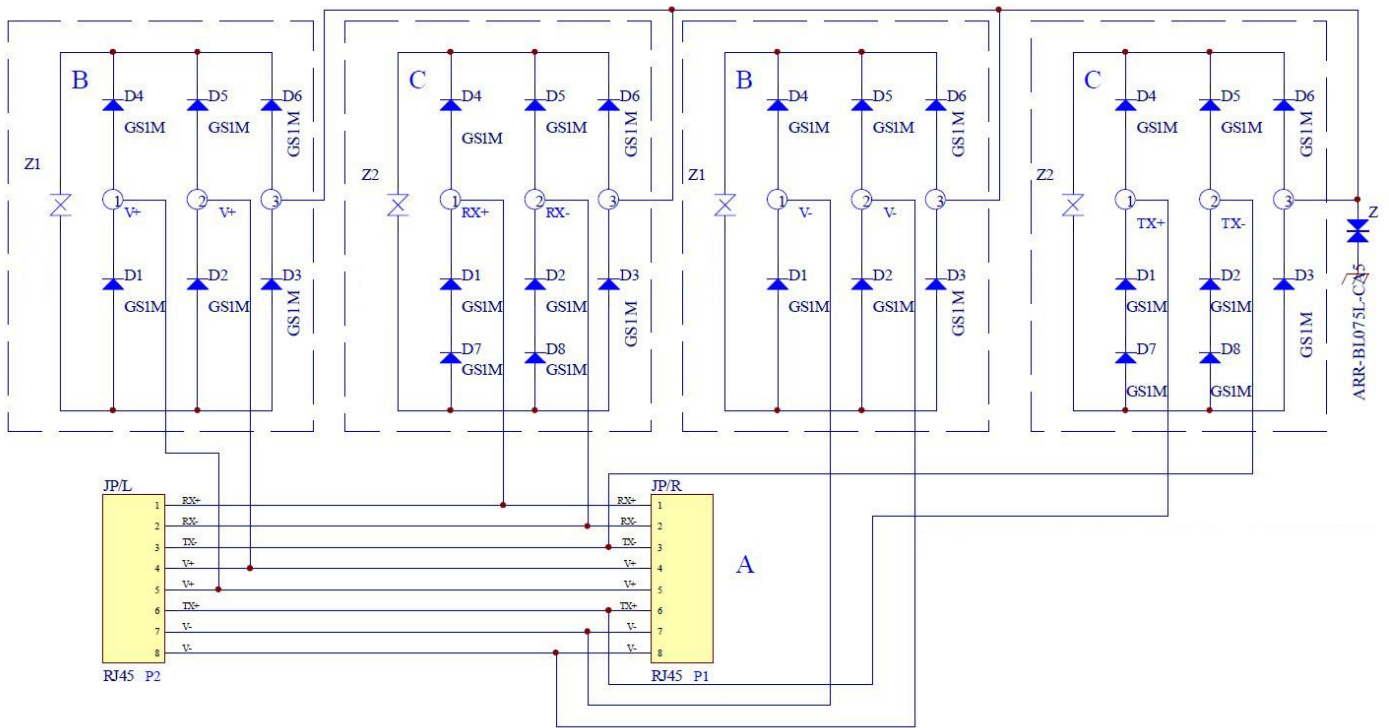
Description

The ESP-POE are a low cost Ethernet surge protector to help protect sensitive equipment from surges caused by lightning and grid power fluctuations. They have a full metal body for improved EMI suppression and have integral mounting feet and separate ground wire. They are designed for indoor or outdoor use inside a weatherproof enclosure. The ESP-1000-POE is compatible with 10/100/1000M PoE systems up to 57V. The ESP-1000-POE24 is compatible with 10/100/1000M PoE systems up to 30V. The ESP-100-POE24 is for 10/100M passive PoE systems up to 30V. Protection is provided on all 8 CAT5/6 wires.

Specifications

	TP-ESP-1000-POE	TP-ESP-1000-POE24	TP-ESP-100-POE24
Operating Voltage	Data 5V ; PoE 48V	Data 5V ; PoE 24V	Data 5V ; PoE 24V
Clamping Voltage	70V POE (All 8 Pins)	40V POE (All 8 Pins)	7.5V Data (Pins 1,2,3,6) 40V POE (Pins 4,5,7,8)
Max Surge Discharge Current	5KA (8/20us)	5KA (8/20us)	5KA (8/20us)
Peak Pulse Current	100A (10/1000us)	100A (10/1000us)	100A (10/1000us)
Protection Mode	Differential & Common Mode	Differential & Common Mode	Differential & Common Mode
Insulation Resistance	>1000 MOhm	>1000 MOhm	>1000 MOhm
Shunt Capacitance	< 25 pF	< 50 pF	< 25 pF
Data Rate	10/100/1000 Mbps	10/100/1000 Mbps	10/100 Mbps
Response Time	<5 ns	<5 ns	<5 ns
Operating Temperature	-40 to +85°C	-40 to +85°C	-40 to +85°C
Storage Temperature	-40 to +125°C	-40 to +125°C	-40 to +125°C
Operating Humidity	0% to 95% non condensing	0% to 95% non condensing	0% to 95% non condensing
Size (L x W x H)	4 x 1 x 1" (102 x 25 x 25mm)	4 x 1 x 1" (102 x 25 x 25mm)	3.2 x 1 x 1" (82 x 25 x 25mm)
Weight	3.1oz (88g)	3.1oz (88g)	2.4oz (68g)
Ground Wire	14 AWG, 10" (26cm) long	14 AWG, 10" (26cm) long	14 AWG, 10" (26cm) long
Connectors	RJ45 Shielded Jacks	RJ45 Shielded Jacks	RJ45 Shielded Jacks
IEC Standard	61000-4-5, 61643-21	61000-4-5, 61643-21	61000-4-5, 61643-21
UL Standard	497B	na	na
Shock and Vibration	Mil Std 810G Method 514.7c Category 4 (2014) and Method 516.7-IV Note 3 (2014)		
IEEE/ ANSI Standard	C62.45	C62.45	C62.45
MTBF (Mean Time Between Failure)	819,049 Hours		
Warranty	3 Years		

Schematic



System Ordering:

- TP-ESP-1000-POE** 10/100/1000M Network Lightning/ Surge Suppressor 70V Clamping for 48V PoE
- TP-ESP-1000-POE24** 10/100/1000M Network Lightning/ Surge Suppressor 40V Clamping for 24V PoE
- TP-ESP-100-POE24** 10/100M Network Lightning/ Surge Suppressor 7.5V/40V Clamping for 24V PoE

For further information contact:

Tyconsystems.com



14641 S 800 W Ste A Bluffdale, UT 84065
 PH: 801-432-0003 FAX: 801-618-4220