

# PRODUCT DATA SHEET

## A) SPECIFICATIONS

- 1 Stainless steel bow  
Hooking onsection 40x22,  
flat and round 3-12mm
- 2 Self-locking pressure screw M6
- 3 Stainless steel sliding pressure plate.
- 4 SAS black P.A. fiberglass saddles

## B) RESISTANCE TESTS

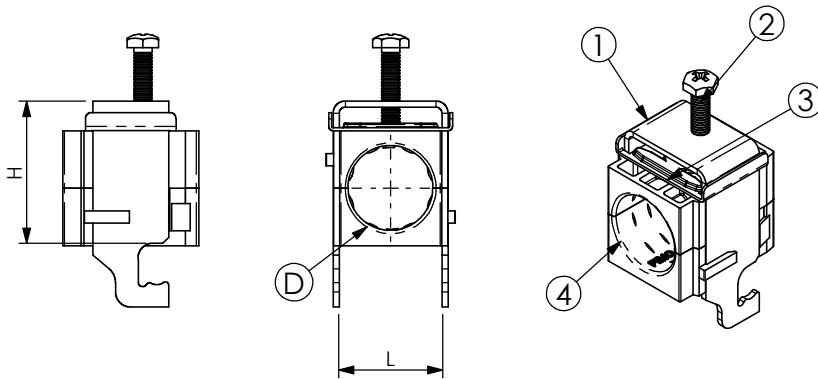
UV Test BS-ISO 105-B06  
Vibration test conforming to UNI 60068-2-6  
Operating temperature: -30°C +120°C

## C) PACKAGING INFORMATION

Packing in boxes.  
Label indicating:  
product code, article, quantity,  
production batch,  
FIMO logo and figure.  
( Customer code on request ).

## D) MOUNTING INSTRUCTIONS

IST026



CODE	ARTICLE	∅ D	L	H	BOX	WEIGHT
61 1558 0006	sRF E/ 1x6	5 - 6	12	20	50	44
61 1558 0007	sRF E/ 1x7	6 - 7	12	20	50	44
61 1558 0008	sRF E/ 1x8	7 - 8	12	20	50	44
61 1558 0009	sRF E/ 1x9	8 - 9	12	20	50	44
61 1558 0091	sRF E/ 1x9 M	9 - 10	12	20	50	44
61 1558 0010	sRF E/ 1x10	10 - 11	12	20	50	44
61 1558 0011	sRF E/ 1x11	10 - 11	22	34	50	76
61 1558 1012	sRF E/ 1x12	11 - 12	22	34	50	76
61 1558 0013	sRF E/ 1x13	12 - 13	22	34	50	76
61 1558 0014	sRF E/ 1x1/2" S (14)	13 - 14	22	34	50	76
61 1558 0038	sRF E/ 1x3/8" (16)	15 - 16	22	34	50	74
61 1558 0012	sRF E/ 1x1/2" (17)	16 - 17	22	34	50	70
61 1558 0058	sRF E/ 1x5/8" (23)	21 - 23	34	46	50	120
61 1558 0027	sRF E/ 1x7/8" S (27)	26 - 27	34	46	50	118
61 1558 0078	sRF E/ 1x7/8" (28)	27 - 28	34	46	50	118
61 1558 1178	sRF E/ 1x7/8" M (30)	29 - 30	34	46	50	116
61 1558 0118	sRF E/ 1x1.1/8" (38)	36 - 38	46	58	50	168
61 1558 0114	sRF E/ 1x1.1/4" (40)	39 - 40	46	58	50	168
61 1558 0148	sRF E/ 1x1.5/8" S (49)	48 - 49	58	72	25	213
61 1558 0158	sRF E/ 1x1.5/8" (52)	50 - 52	58	72	25	212
61 1558 1214	sRF E/ 1x2.1/4" (60)	59 - 60	70	83	25	250
61 1558 0062	sRF E/ 1x62	60 - 62	70	83	25	240
61 1558 0074	sRF E/ 1x3" (72)	72 - 74	80	94	25	330
61 1558 0076	sRF E/ 1x3" M (76)	74 - 76	80	94	25	330

RI	DATE	DR	DATE	AP	Description:	
02					Stainless cable clamps type sRF E For 1 coaxial cable, complete with 2 calibrated saddles. For articles see schedule.	
01						
00	05/10/15	G.S.	05/10/15	A.V.		
1 <sup>ST</sup> EMISSION						
						Use: Hooking of 1 coaxial cable on section 40x22, flat and round 3-12mm.